



(12) **United States Design Patent**
Bae et al.

(10) **Patent No.:** **US D833,431 S**
(45) **Date of Patent:** **** Nov. 13, 2018**

(54) **ELECTRONIC DEVICE**

- (71) Applicant: **SAMSUNG ELECTRONICS CO., LTD.**, Suwon-si (KR)
- (72) Inventors: **Junwon Bae**, Yongin-si (KR); **Deokyeol Lee**, Seoul (KR); **Jonghyuk Park**, Seoul (KR); **Euiju Lee**, Guri-si (KR)
- (73) Assignee: **Samsung Electronics Co., Ltd.**, Suwon-si (KR)
- (**) Term: **15 Years**

- (21) Appl. No.: **29/568,429**
- (22) Filed: **Jun. 17, 2016**

(30) **Foreign Application Priority Data**

Dec. 23, 2015 (KR) 30-2015-0065720
 Dec. 23, 2015 (KR) 30-2015-0065721

- (51) **LOC (11) Cl.** **14-02**
- (52) **U.S. Cl.**
USPC **D14/345**

- (58) **Field of Classification Search**
USPC D14/125-129, 137, 138 AA, 138 AB, D14/138 G, 138 C, 138 R, 154, 159-165, D14/167, 168, 170-172, 188, 192, 194, D14/203.1, 0.3, 0.4, 0.7, 204, 205, 207, D14/214-216, 223, 224, 238.1, 239, 248, D14/250, 251, 253, 308, 317, 331, 336, D14/337, 341-347, 371-377, 388, 389, D14/420, 432, 439, 440, 447, 448, 451, D14/452, 457, 496; D6/308, 310,
(Continued)

(56) **References Cited**

U.S. PATENT DOCUMENTS

- D477,634 S * 7/2003 Malone D19/26
 - D651,210 S * 12/2011 Bryant D14/373
- (Continued)

OTHER PUBLICATIONS

Samsung's Korean patent shows tri-folding tablet design, announced Jun. 12, 2015 [online], [site visited Jan. 30, 2018]. Available from Internet, URL: <<https://www.slashgear.com/samsungs-korean-patent-shows-tri-folding-tablet-design-12388070/>>.*

(Continued)

Primary Examiner — Barbara Fox
Assistant Examiner — Dana K Weiland
 (74) *Attorney, Agent, or Firm* — NSIP Law

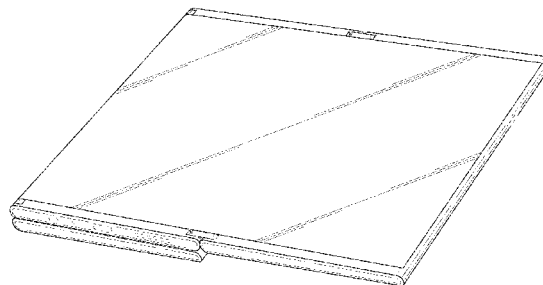
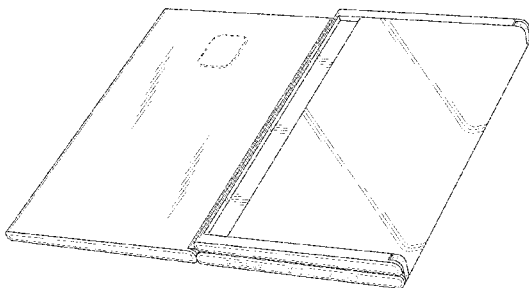
(57) **CLAIM**

We claim the ornamental design for an electronic device, as shown and described.

DESCRIPTION

FIG. 1 is a front perspective view of an electronic device showing our new design;
 FIG. 2 is a front view thereof;
 FIG. 3 is a rear view thereof;
 FIG. 4 is a left-side view thereof;
 FIG. 5 is a right-side view thereof;
 FIG. 6 is a top view thereof;
 FIG. 7 is a bottom view thereof;
 FIG. 8 is a rear perspective view thereof;
 FIG. 9 is a rear perspective view of the electronic device shown in a completely unfolded position; and,
 FIG. 10 is a top view of the electronic device shown in a completely folded position.
 The broken lines shown in the drawings depict portions of the electronic device that form no part of the claimed design. The dot-dash broken lines define boundaries of the claimed design and form no part thereof.

1 Claim, 8 Drawing Sheets



- (58) **Field of Classification Search**
 USPC D6/406.1-406.6, 601; D10/104.1, 50, 65;
 D21/329-332; D13/108
 CPC G06F 1/1601; G06F 1/1605; G06F 1/162;
 G06F 1/1613; G06F 1/1647; G06F
 1/1641; G06F 1/1616; G06F 1/1652;
 G06F 3/04883; G06F 3/0486; G06F
 3/0487; G06F 3/0484; H04M 1/0214;
 H04R 1/02; H04R 5/00; H04R 9/06;
 G08B 21/0288; G08B 21/02; F16M 11/00
 See application file for complete search history.

2012/0264489	A1*	10/2012	Choi	H04M 1/0216 455/566
2013/0250492	A1*	9/2013	Wong	G06F 1/1641 361/679.01
2013/0321340	A1*	12/2013	Seo	G06F 1/1641 345/174
2014/0347806	A1*	11/2014	Totani	G06F 1/1647 361/679.27
2015/0062927	A1*	3/2015	Hirakata	H01L 51/0097 362/362

(56) **References Cited**

U.S. PATENT DOCUMENTS

8,896,202	B2*	11/2014	Oh	H01L 51/5237 313/511
D719,542	S *	12/2014	Lee	D14/138 AB
D741,856	S *	10/2015	Yamazaki	D14/341
D750,036	S *	2/2016	Endo	D14/126
D750,064	S *	2/2016	Yamazaki	D14/341
D760,219	S *	6/2016	Yamazaki	D14/341
9,377,817	B2*	6/2016	Eguchi	G06F 1/1652
D761,254	S *	7/2016	Yamazaki	D14/341
D761,789	S *	7/2016	Yamazaki	D14/341
9,430,184	B2*	8/2016	Cho	G06F 1/1652
D768,624	S *	10/2016	Bae	D14/331
D770,447	S *	11/2016	Endo	D14/341
D772,225	S *	11/2016	Kim	D14/341
D784,945	S *	4/2017	Choo	D14/138 AB
D789,925	S *	6/2017	Browning	D14/341
D798,257	S *	9/2017	Choo	D14/138 AB
D800,112	S *	10/2017	Park	D14/345
2010/0064244	A1*	3/2010	Kilpatrick, II	G06F 1/1616 715/773
2010/0128423	A1*	5/2010	Moscovitch	F16M 11/041 361/679.01
2011/0241998	A1*	10/2011	McKinney	G06F 1/1616 345/168

OTHER PUBLICATIONS

Yes, it is possible to fold your tablets!, announced Jun. 24, 2014 [online], [site visited Jan. 30, 2018]. Available from Internet, URL: <<https://vulcanpost.com/11843/yes-possible-fold-tablets/>>.*
 Revolutionary Foldable Smartphone Shows Shape-Shifting Future for Google Maps, announced Apr. 27, 2014 [online], [site visited Jan. 30, 2018]. Available from Internet, URL: <<http://www.hml.queensu.ca/blog/paperfold>>.*
 A Closer Look At Lenovo's Flexible Display Wrist Phone and Foldable Tablet, announced Jun. 10, 2016 [online], [site visited Jan. 30, 2018]. Available from Internet, URL: <<http://www.androidpolice.com/2016/06/10/a-closer-look-at-lenovos-flexible-display-wrist-phone-and-tablet/>>.*
 Samsung's foldable phone could transform into a 7-inch tablet, announced Jan. 11, 2017 [online], [site visited Jan. 30, 2018]. Available from Internet, URL: <<https://mashable.com/2017/01/11/samsung-foldable-phone-transforms-into-tablet/#HKF1SO0r35qK>>.*
 Samsung Flexible/Foldable Smartphone 2017, announced Jan. 12, 2017 [online], [site visited Jan. 30, 2018]. Available from Internet, URL: <https://www.youtube.com/watch?v=Vun_yohGiMU>.*
 Samsung smartphone met drie displays, announced Dec. 29, 2017 [online], [site visited Jan. 30, 2018]. Available from Internet, URL: <<https://nl.letsgodigital.org/smartphones/samsung-smartphone/>>.*

* cited by examiner

FIG.1

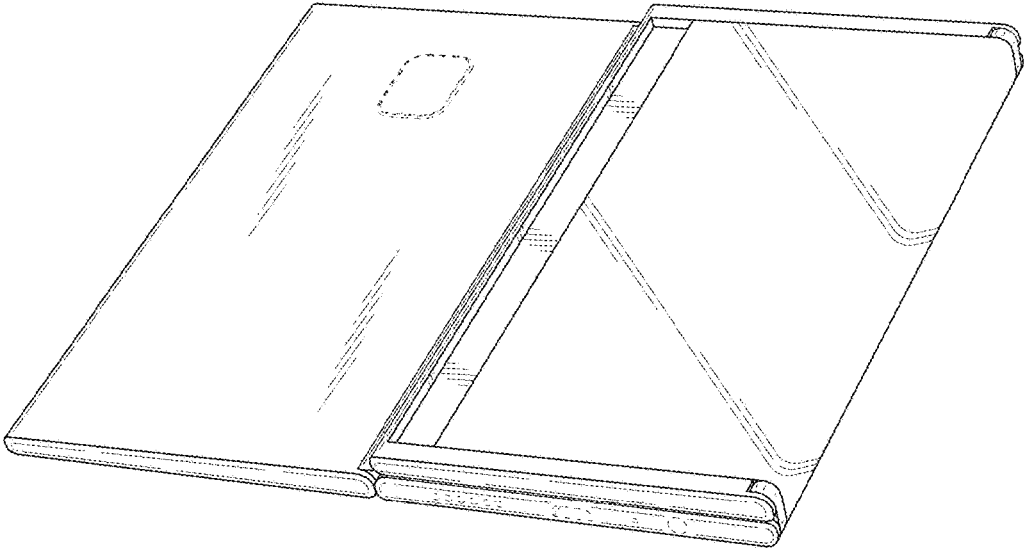


FIG.2

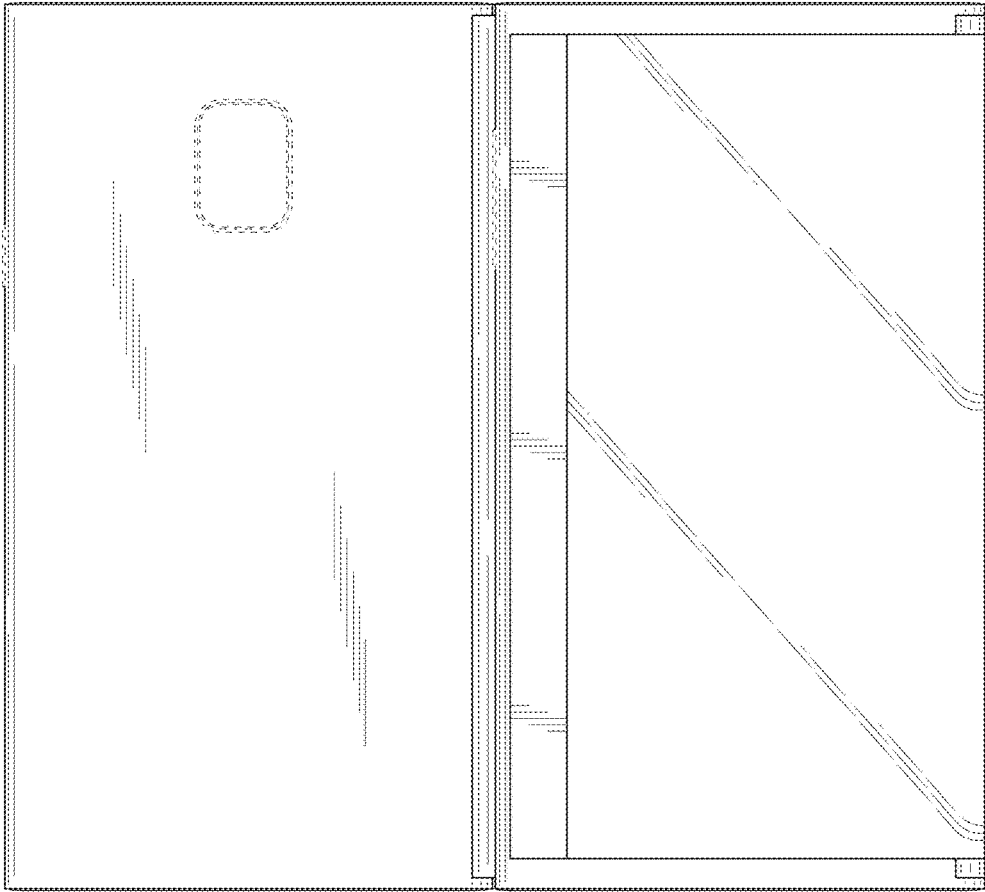


FIG.3

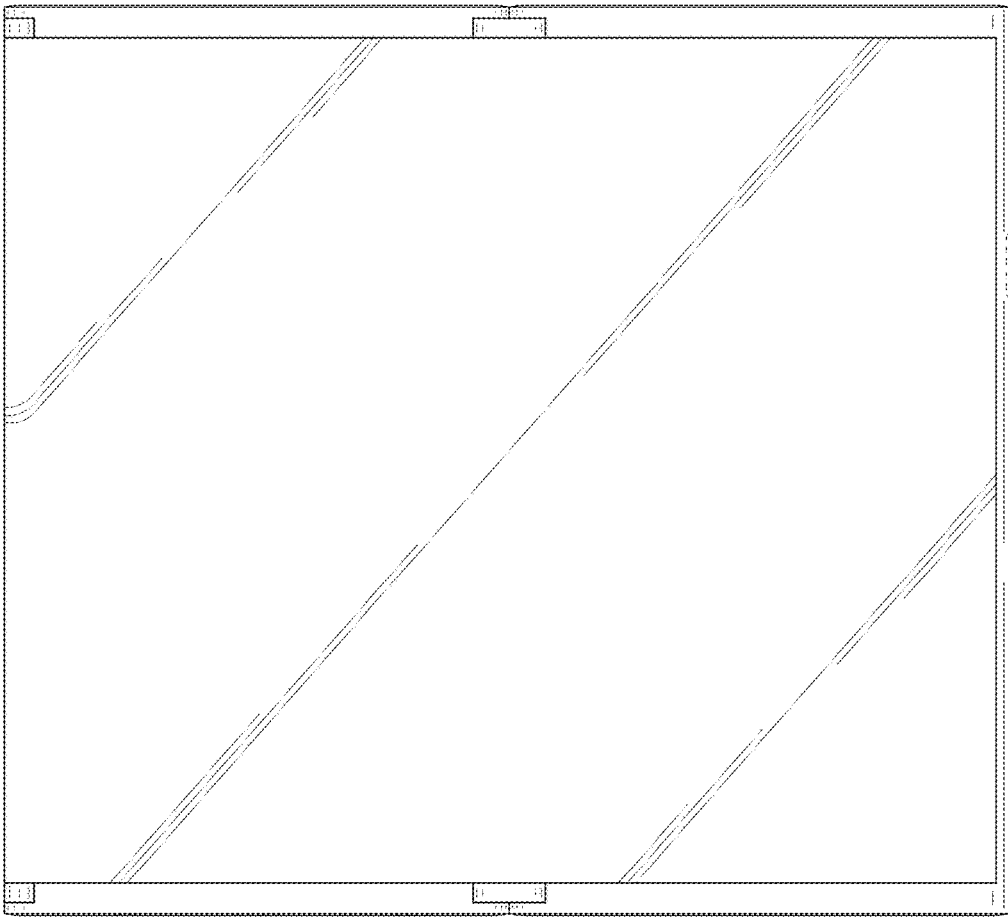


FIG.4



FIG.5



FIG.6



FIG.7



FIG.8

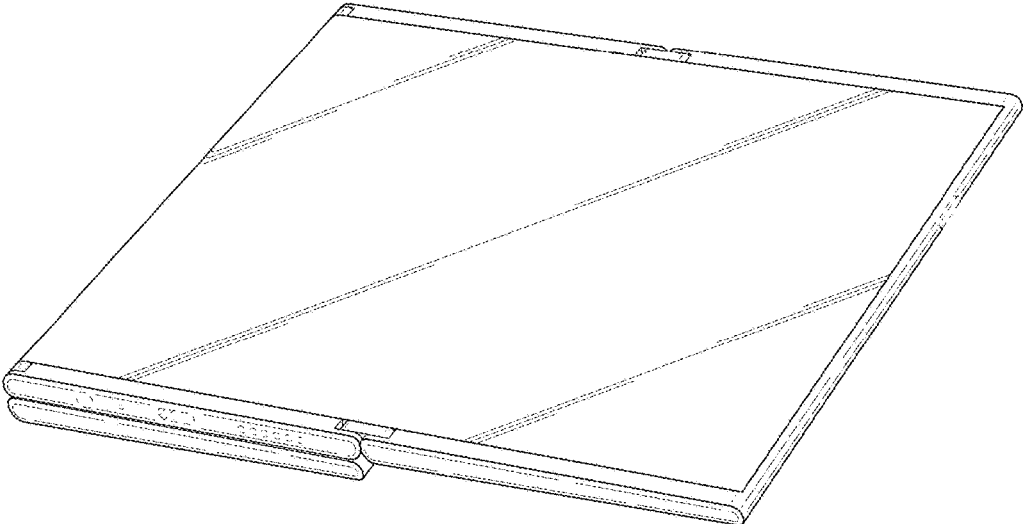


FIG.9

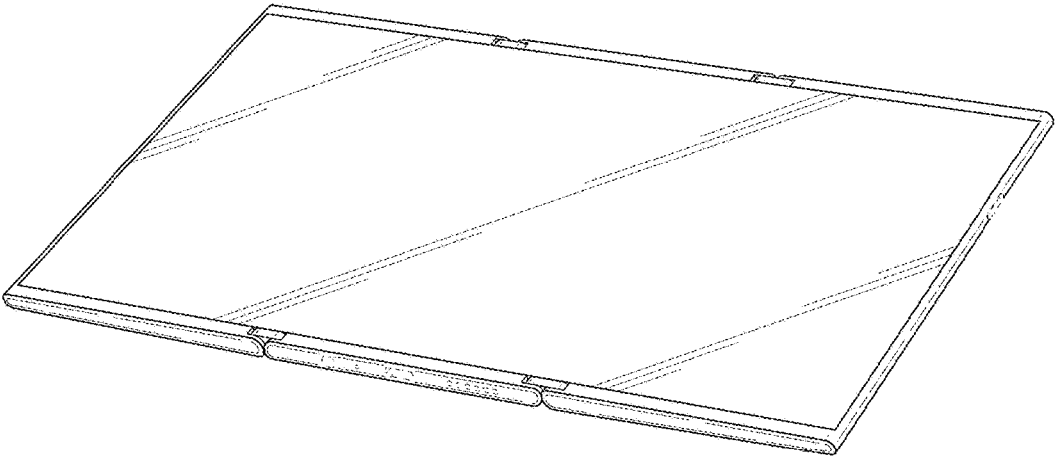


FIG.10

