



(12) **United States Design Patent**  
**Kang et al.**

(10) **Patent No.:** **US D832,209 S**  
(45) **Date of Patent:** **\*\* Oct. 30, 2018**

(54) **WIRELESS CHARGER FOR ELECTRONIC DEVICE**

D703,673 S \* 4/2014 Kittlaus ..... D14/447  
D733,157 S \* 6/2015 Kim ..... D14/447  
D736,756 S \* 8/2015 Ju ..... D14/248  
D746,824 S 1/2016 Heckler  
D753,642 S \* 4/2016 Iimuro ..... D14/253  
D771,180 S \* 11/2016 Jenkins ..... D18/4.5

(71) Applicant: **Samsung Electronics Co., Ltd.,**  
Suwon-si (KR)

(Continued)

(72) Inventors: **Nam-Hyun Kang**, Seoul (KR); **Han Kim**, Namyangju-si (KR); **Han-Kyung Ji**, Goyang-si (KR)

**FOREIGN PATENT DOCUMENTS**

(73) Assignee: **Samsung Electronics Co., Ltd.,**  
Suwon-si (KR)

CN 201130305091 6/2012  
CN 201130506409 8/2012  
EM 001841347-0001 4/2011

(\*\*) Term: **15 Years**

*Primary Examiner* — Rosemary K Tarcza  
*Assistant Examiner* — Nathaniel D. Buckner  
(74) *Attorney, Agent, or Firm* — NSIP Law

(21) Appl. No.: **29/613,151**

(22) Filed: **Aug. 8, 2017**

(57) **CLAIM**

(30) **Foreign Application Priority Data**

We claim the ornamental design for a wireless charger for electronic device, as shown and described.

Apr. 14, 2017 (KR) ..... 30-2017-0017440

**DESCRIPTION**

(51) **LOC (11) Cl.** ..... **13-02**

(52) **U.S. Cl.**  
USPC ..... **D13/108**

(58) **Field of Classification Search**  
USPC ..... D13/107-110, 118-119, 184; D14/251, D14/253, 432, 434  
CPC ..... Y02E 60/12; Y02T 90/14; Y02T 90/122; Y02T 90/128; Y02T 90/163; H02J 7/025; H02J 7/0042; H02J 7/0044; H02J 7/0045; H02J 7/0003; H01F 38/14; H01M 2/1022; H01M 2/1055; H01M 10/44; H01M 10/46; H01M 10/425; B60L 11/182  
See application file for complete search history.

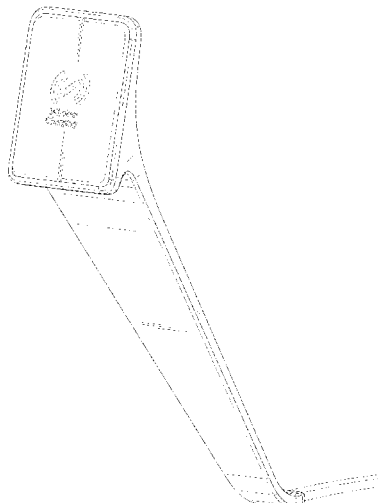
FIG. 1 is a front perspective view of a wireless charger for electronic device showing our new design; FIG. 2 is a front elevational view thereof; FIG. 3 is a rear elevational view thereof; FIG. 4 is a left-side elevational view thereof; FIG. 5 is a right-side elevational view thereof; FIG. 6 is a top plan view thereof; FIG. 7 is a bottom plan view thereof; FIG. 8 is a rear perspective view thereof; and, FIG. 9 is a rear perspective view of a wireless charger for electronic device shown in an environment of use. The broken lines in the figures depict portions of the article and environmental subject matter which form no part of the claimed design. The dot-dash broken lines depict a symbolic break in length. The appearance of any portion of the article beyond the break line forms no part of the claimed design.

(56) **References Cited**

**U.S. PATENT DOCUMENTS**

D649,153 S 11/2011 Symons  
D682,285 S \* 5/2013 Skinner ..... D14/451  
D683,141 S \* 5/2013 Symons ..... D14/447

**1 Claim, 9 Drawing Sheets**



(56)

**References Cited**

U.S. PATENT DOCUMENTS

D772,884	S	*	11/2016	Oberpriller	.....	G06K 7/1095	
							D14/253
D788,031	S	*	5/2017	Holzer	.....	D13/107	
D789,885	S	*	6/2017	Yue	.....	D13/107	
D791,861	S	*	7/2017	Battle	.....	D14/447	
D792,415	S	*	7/2017	Tsai	.....	D14/447	
D806,450	S	*	1/2018	Seong	.....	D6/672	

\* cited by examiner

FIG. 1

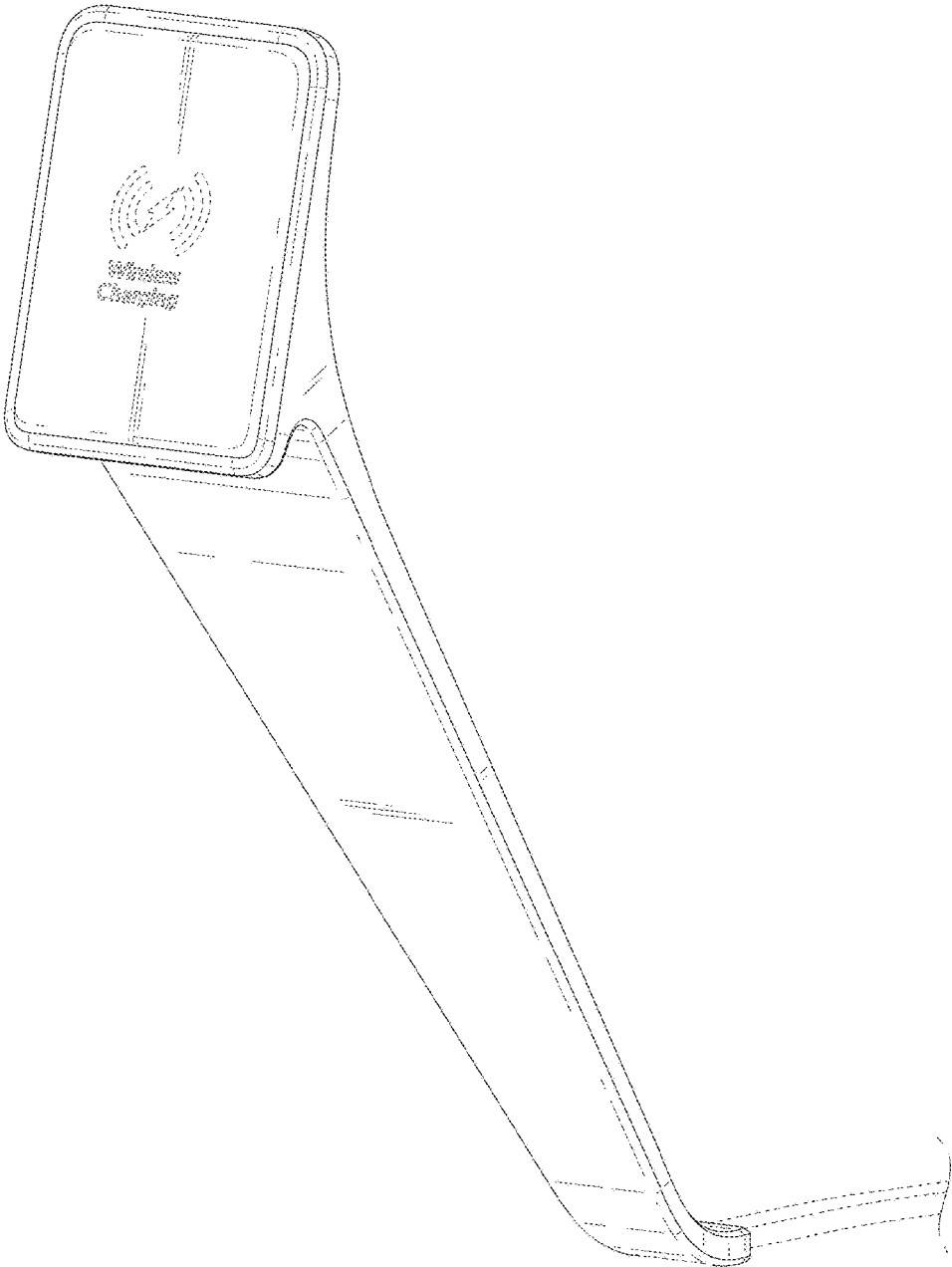


FIG. 2

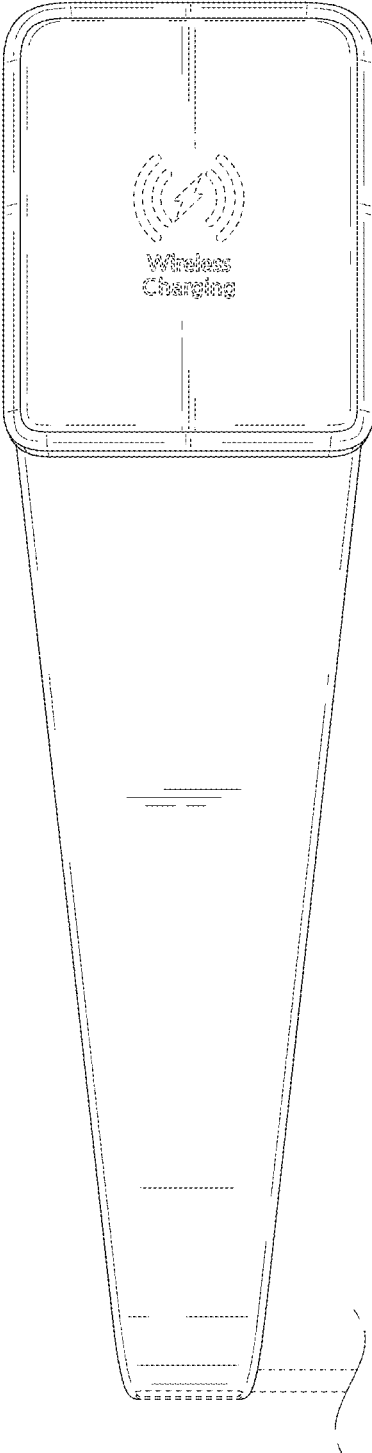


FIG. 3

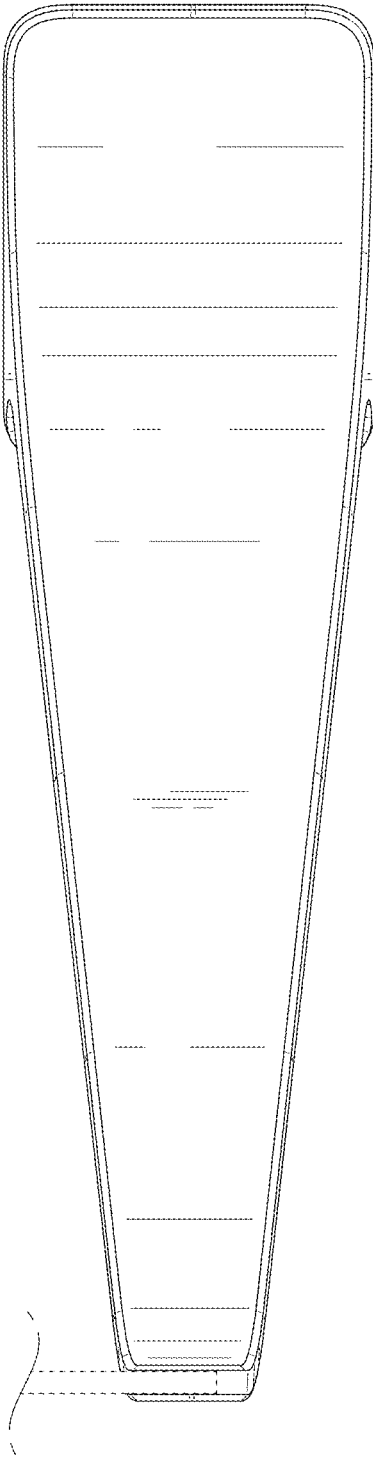


FIG. 4

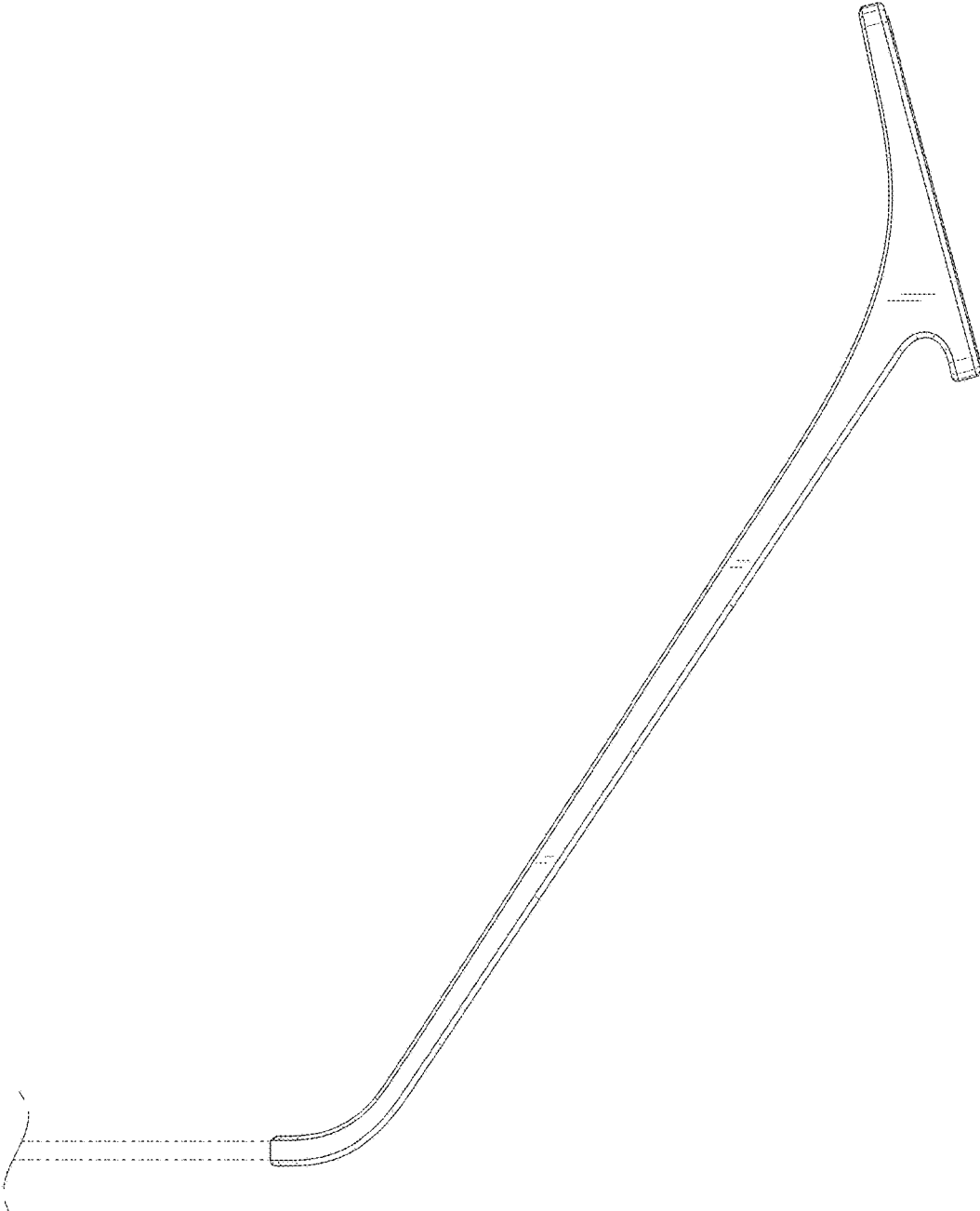


FIG. 5

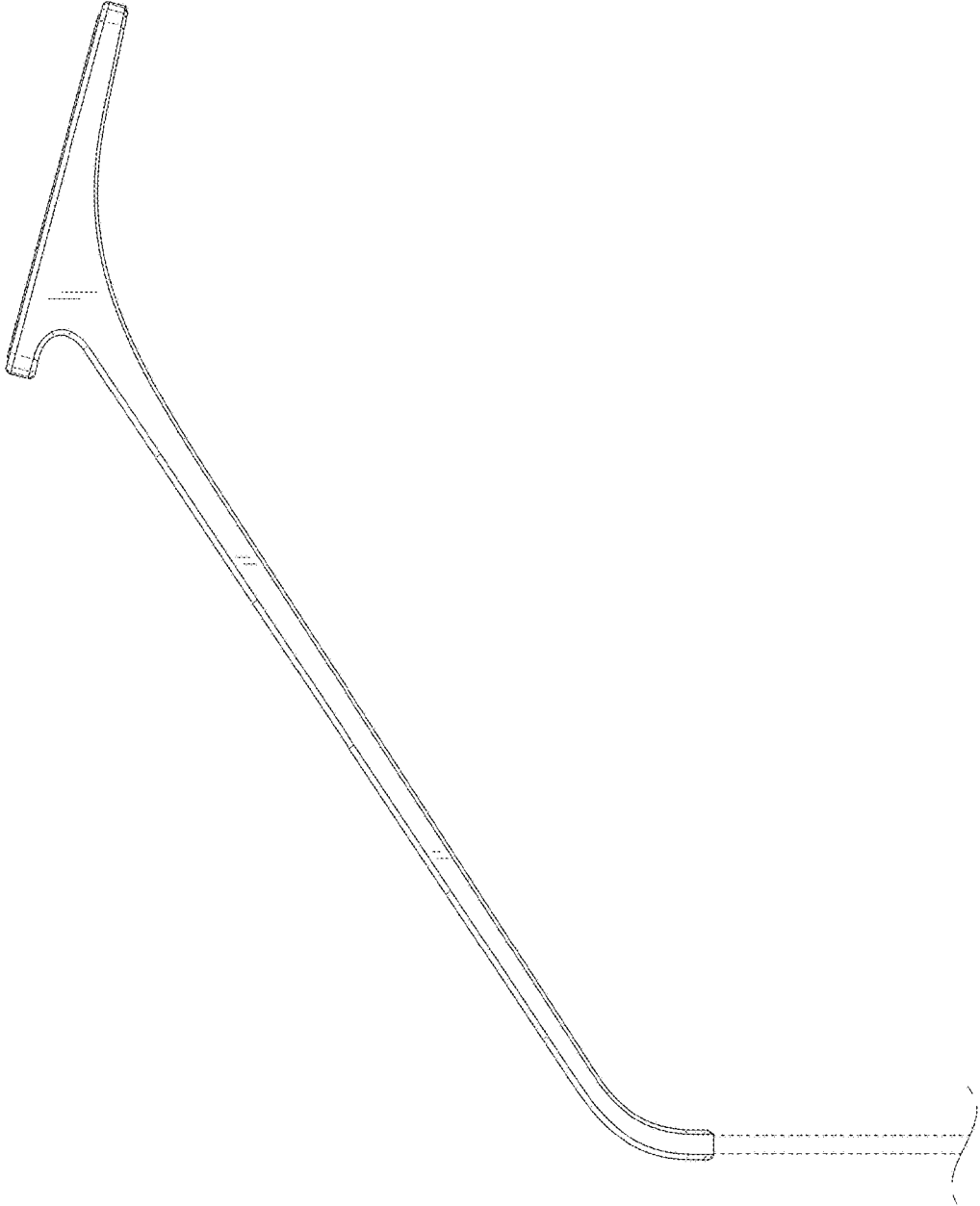


FIG. 6

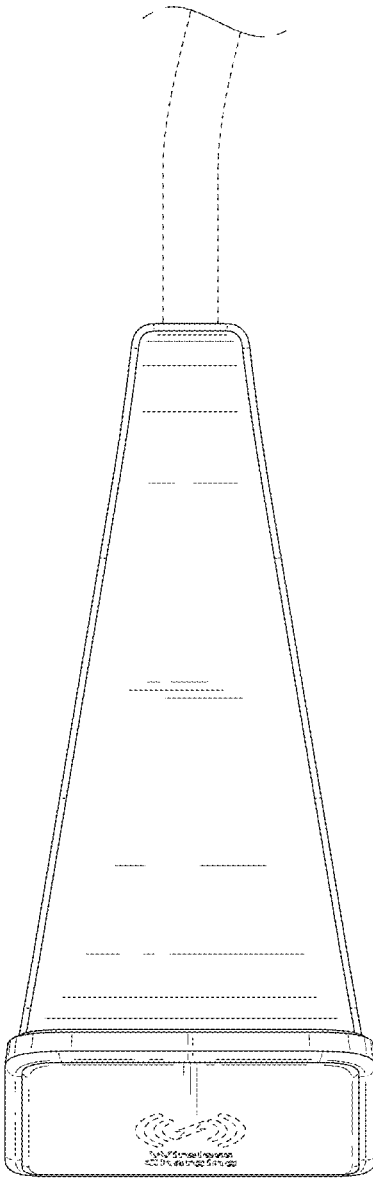


FIG. 7

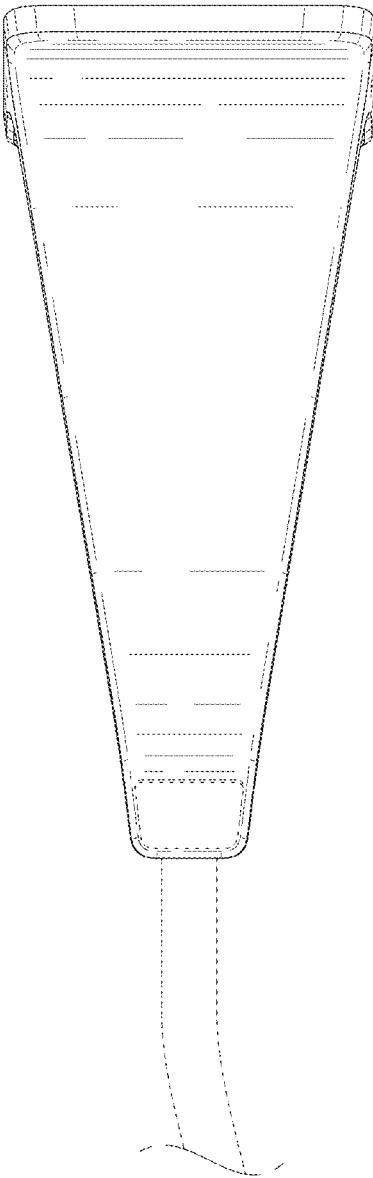


FIG. 8

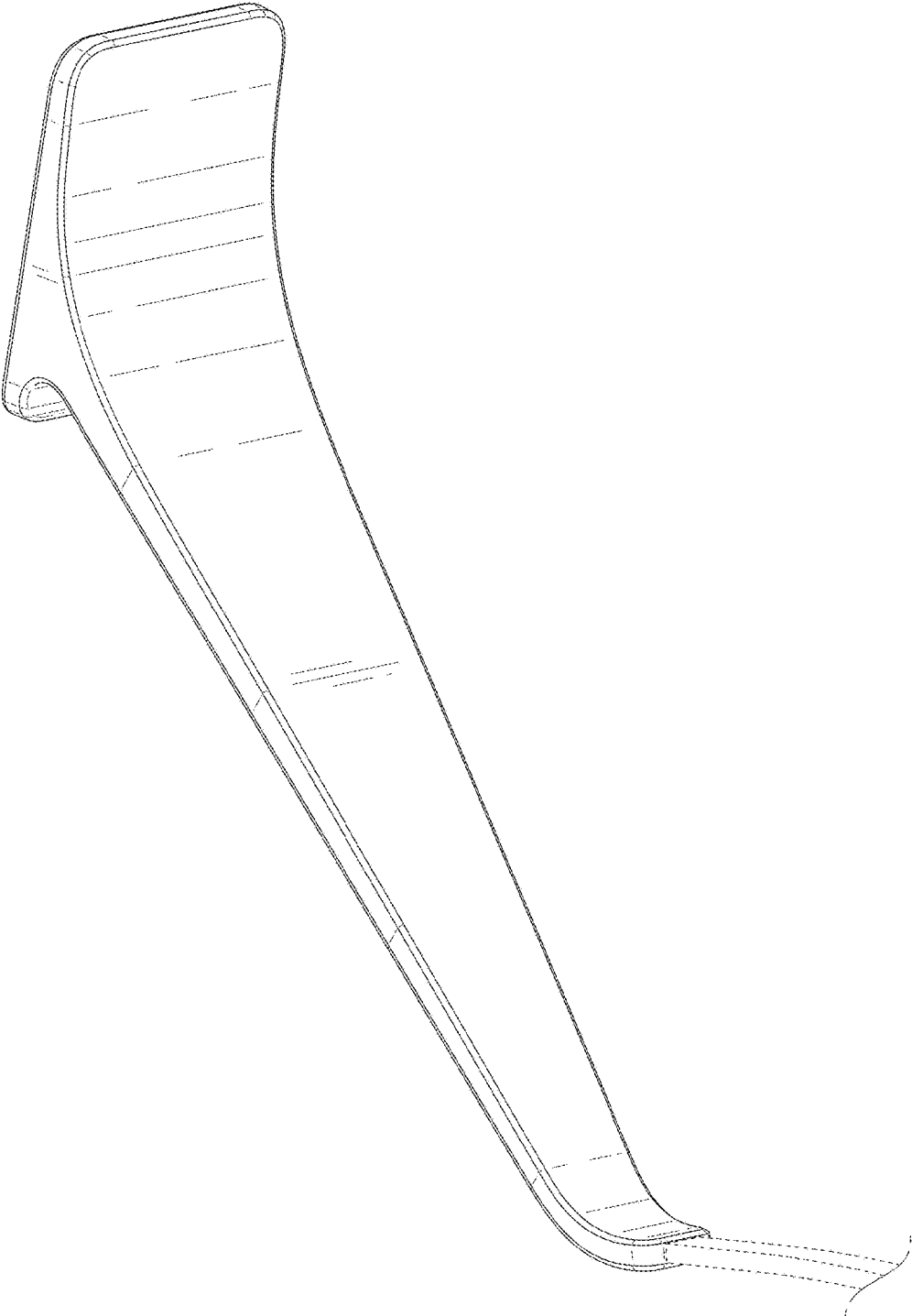


FIG. 9

