



US00D804443S

(12) **United States Design Patent**  
**Kang et al.**

(10) **Patent No.:** **US D804,443 S**

(45) **Date of Patent:** **\*\* Dec. 5, 2017**

(54) **MOBILE TERMINAL**

FOREIGN PATENT DOCUMENTS

(71) Applicant: **SAMSUNG ELECTRONICS CO., LTD.**, Suwon-si (KR)

CN 303387364 \* 9/2015

(72) Inventors: **Byung-Jin Kang**, Seoul (KR);  
**Do-Hyung Lee**, Yongin-si (KR);  
**Kyu-Hong Kim**, Yongin-si (KR)

OTHER PUBLICATIONS

Lenovo flexible Phone and Tablet Concept Lenovo flexible Smartphone Upcoming in 2017, Jun. 9, 2016, [online], [site visited Feb. 9, 2017]. Retrieved from <url:https://www.youtube.com/watch?v=jIIv7FZw73Q>.\*

(73) Assignee: **SAMSUNG ELECTRONICS CO., LTD.**, Gyeonggi-Do (KR)

(Continued)

(\*\*) Term: **15 Years**

*Primary Examiner* — Jeffrey D Asch

(21) Appl. No.: **29/559,841**

*Assistant Examiner* — Tracey J Bell

(22) Filed: **Mar. 31, 2016**

(74) *Attorney, Agent, or Firm* — Cantor Colburn LLP

(30) **Foreign Application Priority Data**

(57) **CLAIM**

Oct. 2, 2015 (KR) ..... 30-2015-0049862  
Oct. 2, 2015 (KR) ..... 30-2015-0049872

The ornamental design for a mobile terminal, as shown and described.

(51) **LOC (10) Cl.** ..... **14-03**

**DESCRIPTION**

(52) **U.S. Cl.**  
USPC ..... **D14/138 AB**; D14/341; D14/345;  
D14/138 G

FIG. 1 is a perspective view of a mobile terminal showing our new design;

(58) **Field of Classification Search**  
USPC ..... D14/203.4, 341, 345, 346, 138 AD,  
D14/138 R, 138 G, 138 AC, 138 C, 248,  
D14/203.7, 496, 315-318, 330, 342, 250,  
D14/138 AB; 361/676.27; D19/26  
CPC .... G06F 1/1626; G06F 1/1652; H04M 1/027;  
H04M 1/0202; H04M 1/0279; H04M  
1/0235; H04M 1/0237; H04M 1/0239;  
(Continued)

FIG. 2 is a front view of FIG. 1;

FIG. 3 is a rear view of FIG. 1;

FIG. 4 is a left-side view of FIG. 1;

FIG. 5 is a right-side view of FIG. 1;

FIG. 6 is a top plan view of FIG. 1;

FIG. 7 is a bottom plan view of FIG. 1;

FIG. 8 is another perspective view of FIG. 1 in a folded position;

FIG. 9 is a front view of FIG. 8;

FIG. 10 is a rear view of FIG. 8;

FIG. 11 is a left-side view of FIG. 8;

FIG. 12 is a right-side view of FIG. 8;

FIG. 13 is a top plan view of FIG. 8; and,

FIG. 14 is a bottom plan view of FIG. 8.

The broken lines illustrating portions of the mobile terminal form no part of the claimed design.

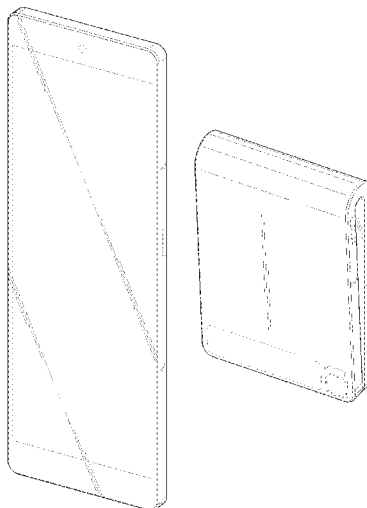
(56) **References Cited**

U.S. PATENT DOCUMENTS

D563,362 S \* 3/2008 LaDelfa ..... D14/138 C  
8,890,911 B2 \* 11/2014 Moriwaki ..... G09G 3/3208  
345/1.3

(Continued)

**1 Claim, 10 Drawing Sheets**



(58) **Field of Classification Search**  
 CPC ..... H04M 1/0266; H04M 1/0268; H04M  
 1/0295; B42D 3/00  
 See application file for complete search history.

(56) **References Cited**

U.S. PATENT DOCUMENTS

8,929,085 B2 \* 1/2015 Franklin ..... G06F 1/1626  
 361/749  
 8,988,381 B1 \* 3/2015 Kim ..... G06F 1/1652  
 345/108  
 8,994,651 B2 \* 3/2015 Park ..... G09G 3/001  
 345/156  
 9,013,458 B2 \* 4/2015 Cho ..... G06F 1/1601  
 345/204  
 9,020,571 B2 \* 4/2015 Chi ..... H04B 1/38  
 455/566  
 D736,752 S \* 8/2015 Lee ..... D14/248  
 9,152,225 B2 \* 10/2015 Park ..... G06F 3/01  
 9,235,273 B2 \* 1/2016 Opran ..... G06F 3/0202  
 D748,625 S \* 2/2016 Takahashi ..... D14/345  
 9,250,701 B2 \* 2/2016 Kim ..... G06F 3/01  
 9,298,221 B2 \* 3/2016 Choi ..... G06F 1/1677  
 9,342,106 B2 \* 5/2016 Nurmi ..... G06F 1/1652  
 9,344,672 B2 \* 5/2016 Lee ..... H04M 1/0202  
 9,348,362 B2 \* 5/2016 Ko ..... G06F 1/1626  
 9,354,742 B2 \* 5/2016 Nagaraju ..... G06F 3/0416  
 D759,009 S \* 6/2016 Kim ..... D14/344  
 D767,526 S \* 9/2016 Lee ..... D14/138 AB  
 D771,041 S \* 11/2016 Bae ..... D14/341  
 D771,628 S \* 11/2016 Bae ..... D14/341  
 D786,816 S \* 5/2017 Choo ..... D14/138 AA

D788,726 S \* 6/2017 Lee ..... D14/138 AB  
 2004/0008191 A1 \* 1/2004 Poupyrev ..... G06F 3/011  
 345/184  
 2008/0303782 A1 \* 12/2008 Grant ..... G06F 1/1615  
 345/156  
 2010/0120470 A1 \* 5/2010 Kim ..... G06F 1/1615  
 455/566  
 2011/0241998 A1 \* 10/2011 McKinney ..... G06F 1/1616  
 345/168  
 2013/0321373 A1 \* 12/2013 Yoshizumi ..... G09G 5/00  
 345/211  
 2014/0320396 A1 \* 10/2014 Modarres ..... G06F 3/0412  
 345/156  
 2014/0362513 A1 \* 12/2014 Nurmi ..... G06F 1/1652  
 361/679.27  
 2015/0242083 A1 \* 8/2015 Rainisto ..... G06F 3/0485  
 715/784  
 2015/0261254 A1 \* 9/2015 Hiroki ..... G06F 1/163  
 361/679.03  
 2015/0381929 A1 \* 12/2015 Lee ..... H04M 1/0202  
 348/14.03  
 2016/0011628 A1 \* 1/2016 Sato ..... G06F 1/1656  
 361/679.3  
 2016/0357158 A1 \* 12/2016 Kim ..... G06F 1/163

OTHER PUBLICATIONS

Samsung to Launch Flexible OLED Cell Phone in 2012, Nov. 7, 2011, [online], [site visited Feb. 9, 2017]. Retrieved from <url:http://inhabitat.com/samsung-to-launch-flexible-oled-cell-phone-next-year/>.\*

\* cited by examiner

FIG. 1

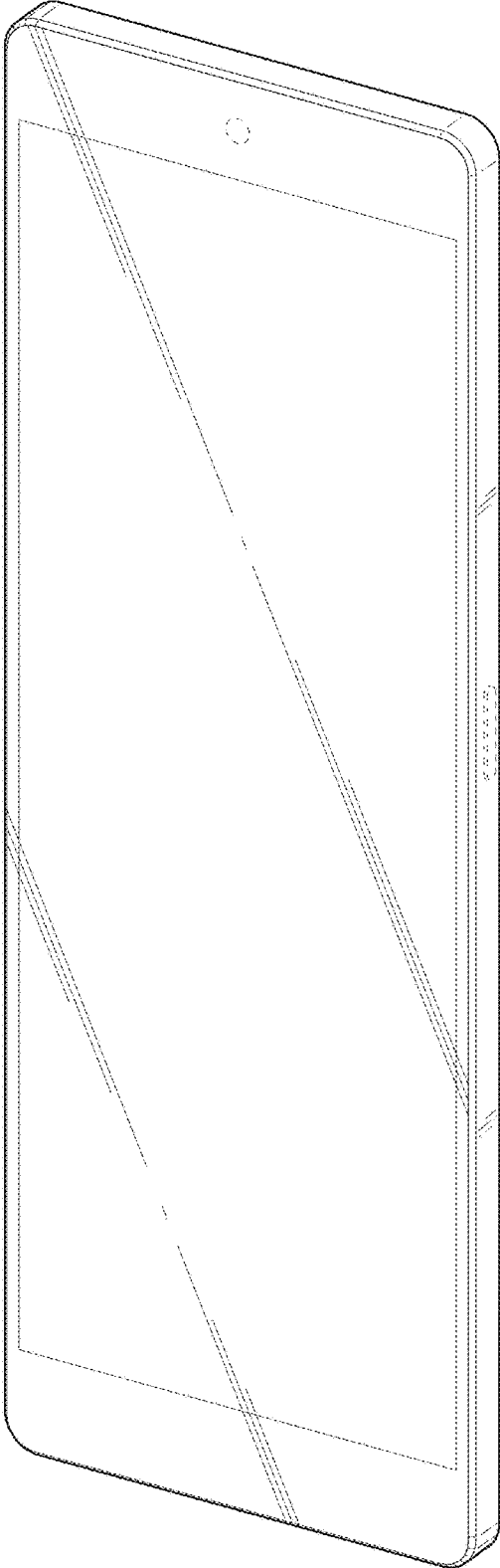


FIG. 2

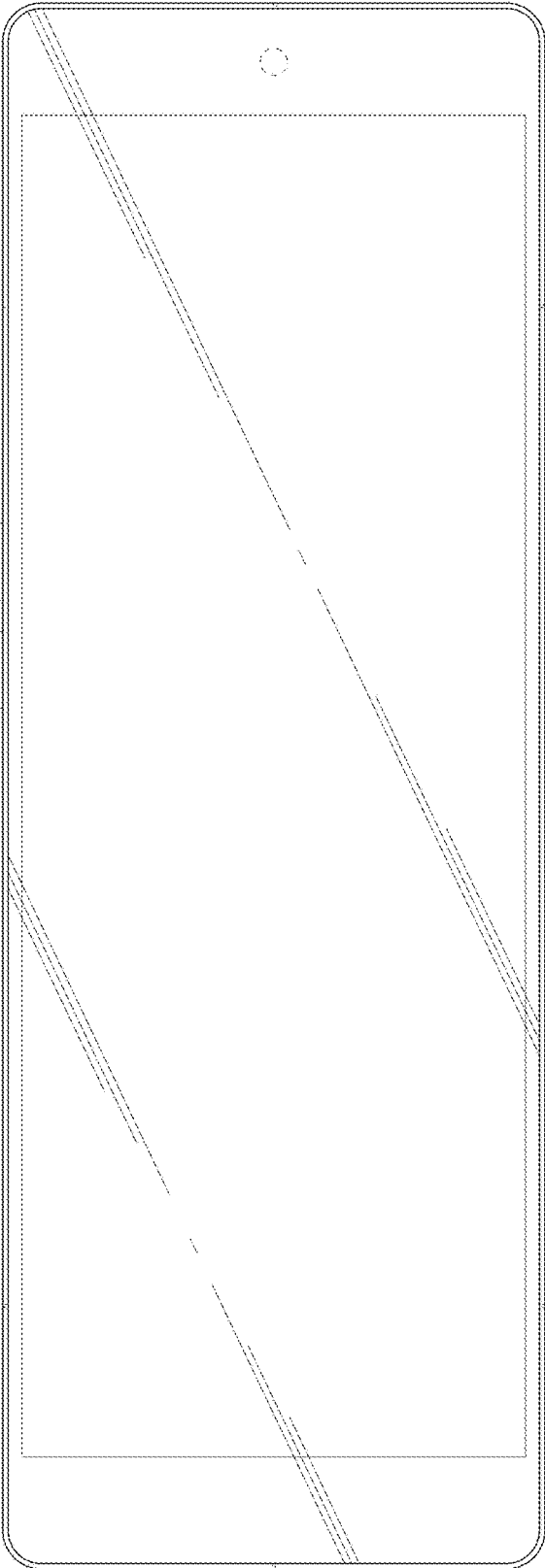


FIG. 3

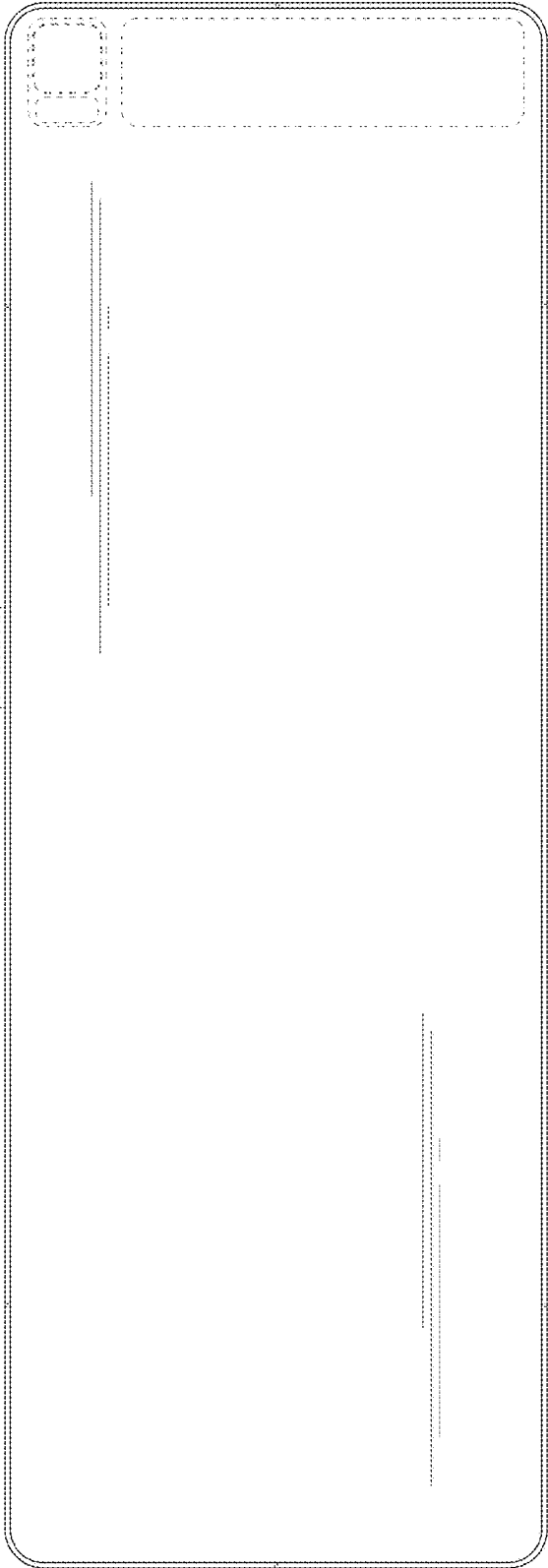


FIG. 4



FIG. 5

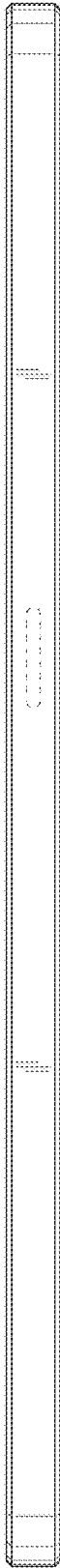


FIG. 6



FIG. 7



FIG. 8

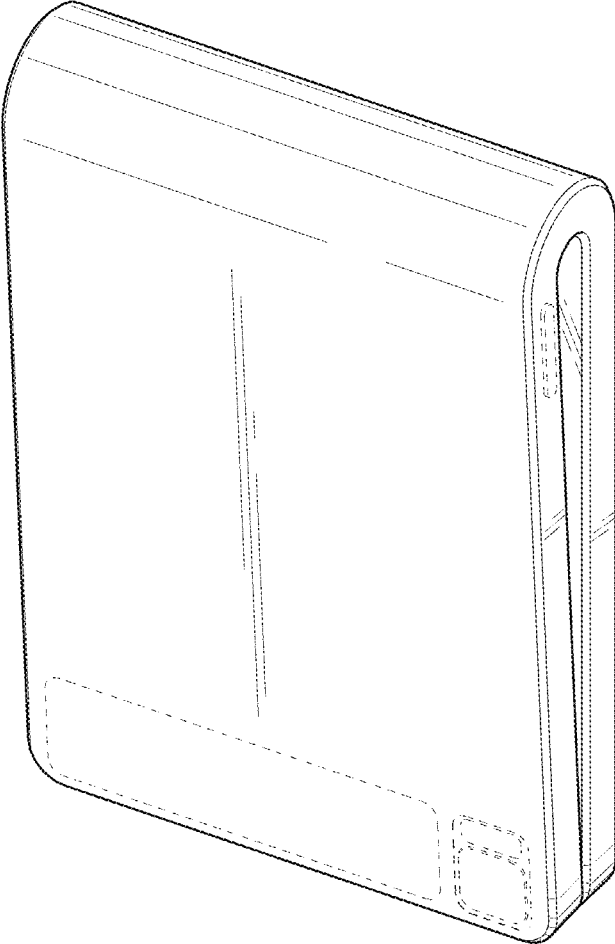




FIG. 9

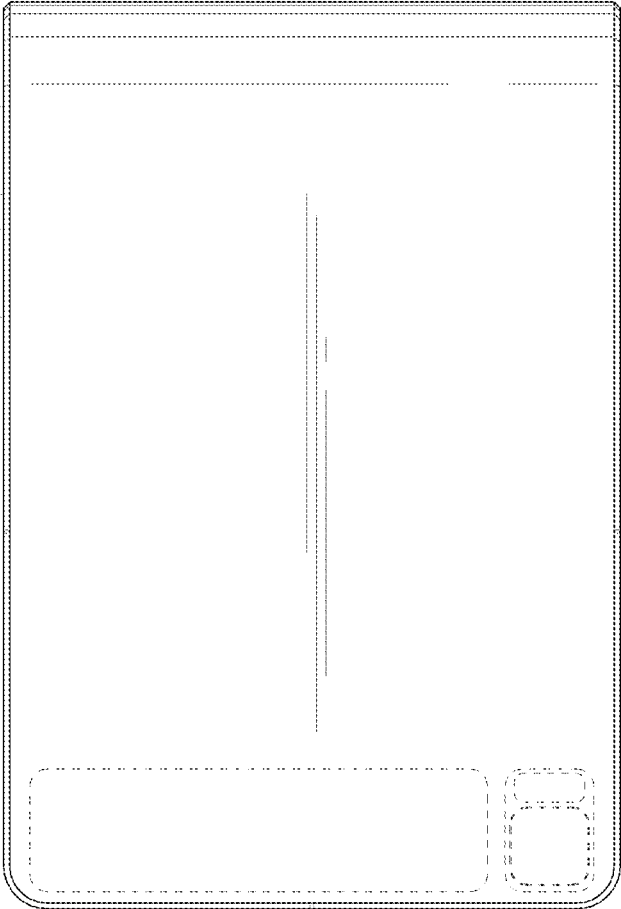


FIG. 10

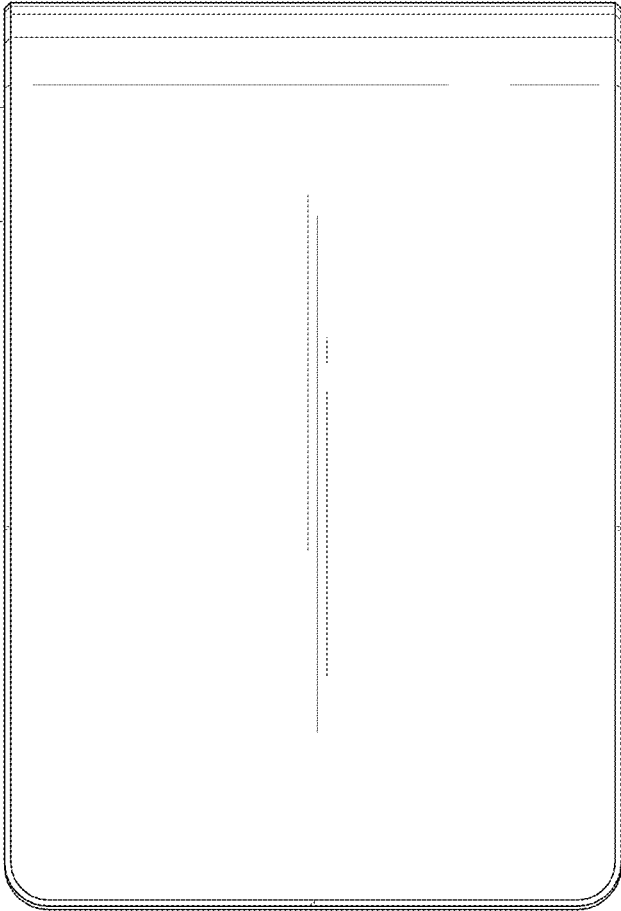


FIG. 11

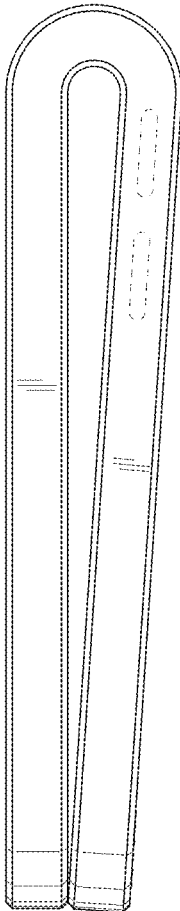


FIG. 12

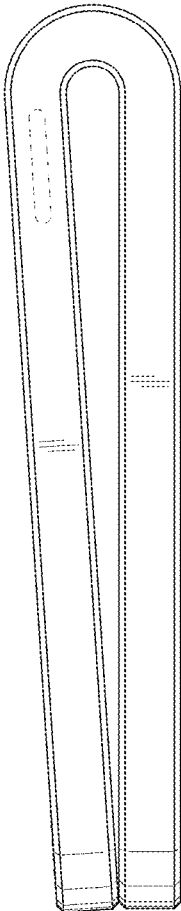


FIG. 13

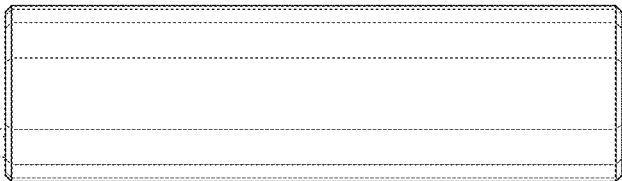


FIG. 14

